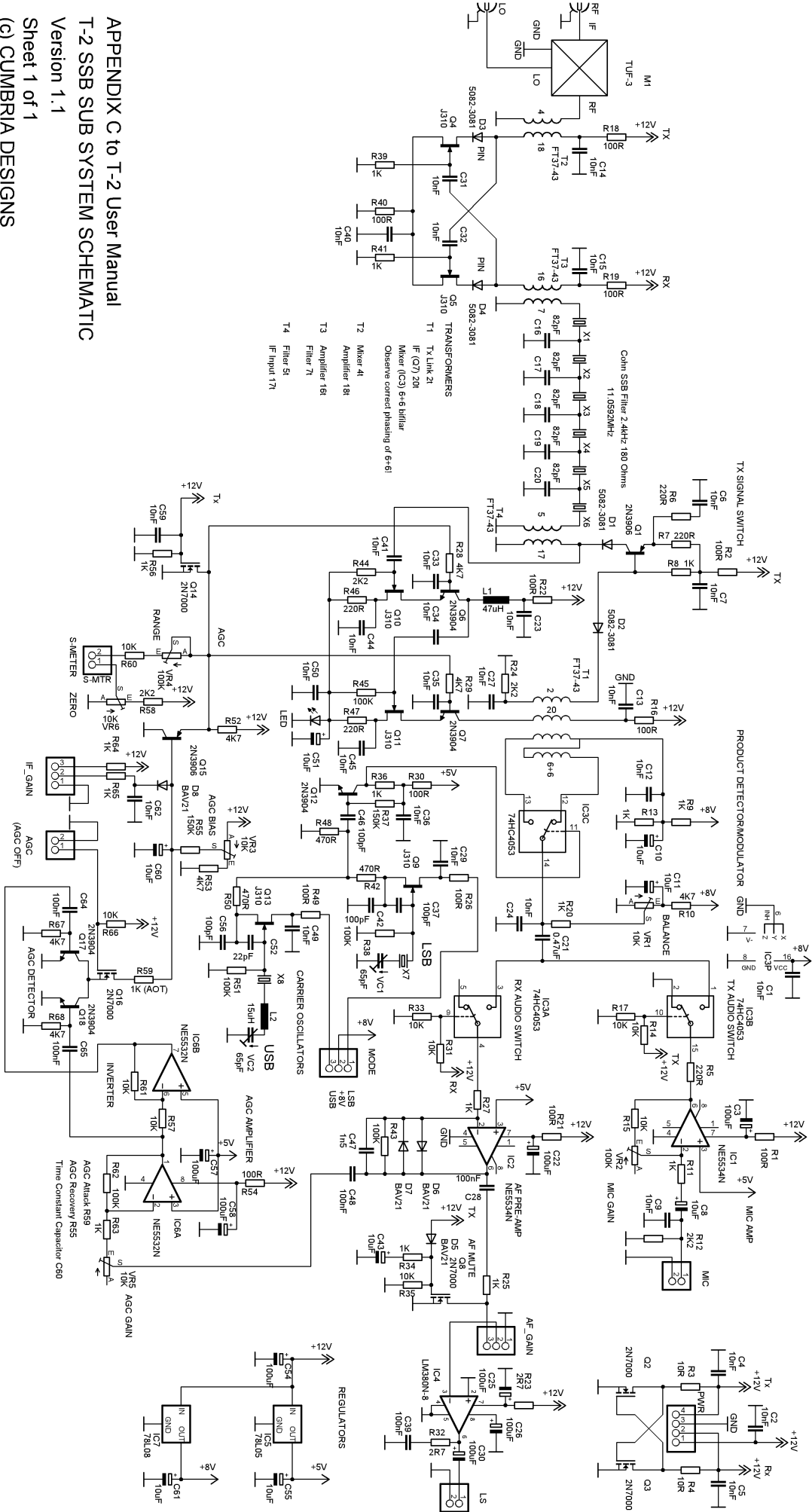


**POWER SWITCHING**  
 This circuit ensures that the inactive power rail is quickly discharged to ground to prevent both tx and rx paths being inadvertently active



- T1 Tx Link 2i
- T2 Mixer 4i
- T3 Amplifier 18i
- T4 Filter 5i
- IF Input 17i